

JVC

D-ILA PROJECTOR

DLA-RS2000

DLA-RS1000

4K HDR D-ILA[®]



GO FURTHER, BE THE FIRST

Main Features:

- New 0.69 inch Native 4K D-ILA devices
- 17-element, 15-group all-glass 65 mm diameter high quality lens
- High brightness 1.900 lm^{*1*2} means bright, high resolution images
- Deep Blacks are realized by a Native Contrast Ratio of 80.000 : 1 (Dynamic Contrast Ratio 800.000 : 1^{*1*2})
- Wide Color Gamut above DCI P3 creates vivid, beautiful images that come to life^{*1}
- Compatible with HDR, technology which dramatically improves picture quality to near real life
- Auto Tone Mapping function automatically adjusts settings for optimum HDR10 image quality
- Renewed Clear Motion Drive supporting 4K60P (4:4:4) signal improves moving images more than ever

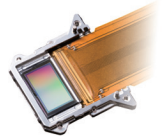
^{*1} For DLA-RS2000

^{*2} DLA-RS1000 is 1.800 lm, Dynamic Contrast 400.000:1 / Native Contrast 40.000:1

Design and specifications are subject to change without notice

New 0.69 inch Native 4K D-ILA device

The 0.69 inch native 4K D-ILA device with 3.8µm pixel pitch achieves high definition display of about 8.8 million pixels (4096 x 2160 pixels) exceeding 4 times the Full HD resolution. High contrast is realized by improved planarization technique which reduces light scattering and light diffraction realizing high native contrast ratio. The narrow pitch realize unique Native4K imagery with smooth, detailed picture without visible pixel structure even on large screens.



4K D-ILA

HDR compatibility with New Auto Tone Mapping function

Compatible with HDR 10 for contents like UHD Blu-ray and HLG (Hybrid Log-Gamma) adopted in broadcasting. Also equipped with a new function "Auto Tone Mapping" that automatically adjust setting based on mastering information included in HDR content. Different HDR images can be viewed optimally for each content.



Other Features

- Equipped with "Installation Mode" function that saves up to 10 kinds of installation settings such as lensmemory, pixel adjustment, screen mask etc. all together.
- Supports full spec 4K video input compatible with 18 Gbps transmission band

Specification

DLA-RS2000		DLA-RS1000	
Display Device	New 0.69 inch Native 4K D-ILA device (4.096x2.160) x 3		
Display resolution	4.096 x 2.160		
Light Source Lamp	NSH 265W		
Lens	x2 Motorized Zoom & Focus		
Lens Shift	Vertical ±80% Horizontal ±34% motorized when projection aspect ratio is 16:9		
Brightness	1.900lm	1.800lm	
Contrast	Dynamic	800.000:1	400.000:1
	Native	80.000:1	40.000:1
DCI P3	Yes	-	
HDMI Terminal	2 (18Gbps/3D/DeepColor/HDCP2.2)		
Blur Reduction (C.M.D)	Yes (4K compatible)		
HDR	Yes (HDR10/HLG)		
isf	Yes		
USB Firm update	Yes		
Power	AC100-240V 50/60HZ		
Power Consumption	400W (1,5W during regular standby; 0,3W during eco-mode standby)		
External Dimensions	W: 500 mm x H: 234 mm x D:495 mm (including foot)		
Weight	19,8 kg	19,6 kg	

Throw Ratio

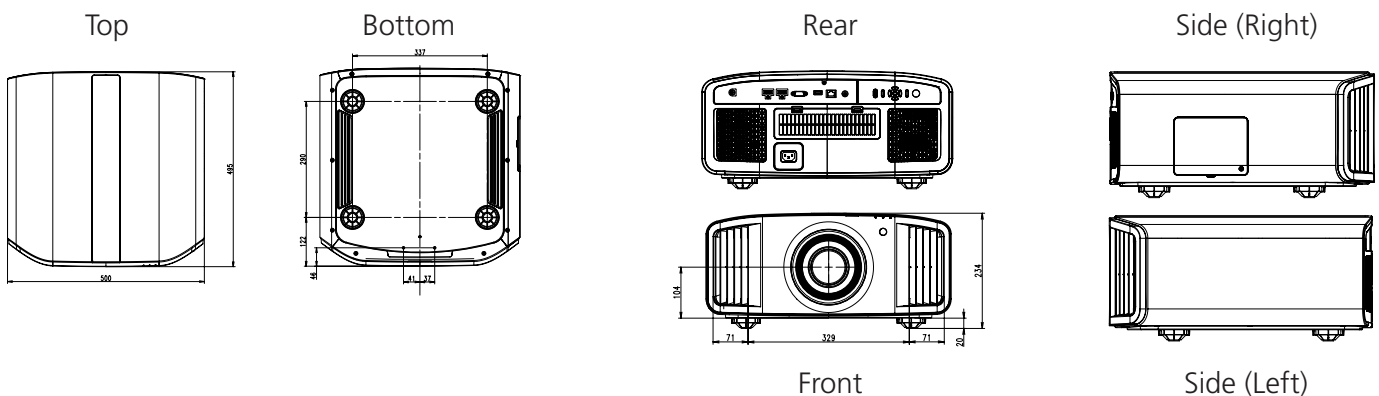
Screen Size (inch)	4096x2160 (17:9)		3840x2160 (16:9)	
	Wide (m)	Tele (m)	Wide (m)	Tele (m)
60	1.787	3.664	1.880	3.853
90	2.703	5.518	2.843	5.802
100	3.008	6.136	3.164	6.451
110	3.314	6.754	3.486	7.101
120	3.619	7.371	3.807	7.760
130	3.925	7.989	4.128	8.400
150	4.536	9.225	4.770	9.699
200	6.063	12.315	6.375	12.946

Options

- PK-AG3 RF method 3D Glasses
- PK-EM2 RF method 3D Synchro Emitter
- PK-L2618U User-replaceable Lamp

Not suitable for household room illumination

External Dimensions unit: mm



- D-ILA and e-shift are registered trademarks of JVCKENWOOD Corporation.
- The projector is equipped with an ultra-high pressure mercury lamp, which may break, emitting a loud noise, when it is subjected to shock or after it has been used for some length of time.
- Please note that, depending on how the projector is used, there can be considerable difference between individual lamps regarding how many hours they will operate before requiring replacement.
- An additional payment is required for installation of the projector or a new lamp, if necessary.
- The projector lamp requires periodic replacement and is not covered by warranty.
- Please be aware that, because the D-ILA device is manufactured using highly advanced technologies, 0.01% or fewer of the pixels may be non-performing (always on or off).
- All pictures on this brochure are simulated.
- Design and specifications are subject to change without notice.
- Any rights not expressly granted herein are reserved.

Copyright © 2018, JVCKENWOOD Corporation. All Rights Reserved.



DISTRIBUTED BY

www.jvc.eu