

AudioPressBox®

APB Mini (APB-312 C-USB)

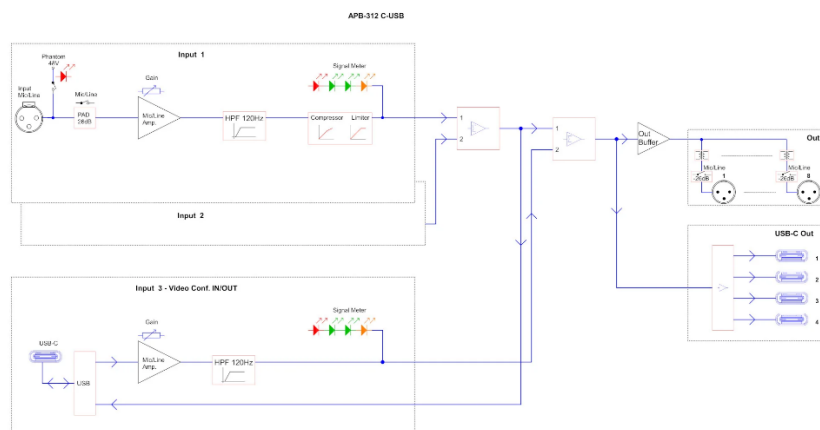
AudioPressBox – Active, portable, 2x MIC/Line In, 1x USB-C In & Out, 8x Line/MIC Out, 4x USB-C Out



Features

- 2 Analog MIC (phantom power) / LINE Inputs – balanced with gain control and 26dB PAD
- 1 Digital USB-C input & output
- 8 Analog High quality independent transformer balanced and isolated outputs
- 4 Digital USB-C outputs
- Analog Outputs are switchable between MIC or LINE level
- Built-in Compressor and Limiter for analog Inputs
- On unit printed QR code for online access to manual, user guide and video guide
-

BLOCK DIAGRAM APB-Mini (APB-312 C-USB)



AudioPressBox®
APB-312 C-USB

Audio Press Box®

Audio Press Box APB-312 C-USB		
Type	3 in 12 out	
Groups	1	
Input section		
Inputs	2 analog, 1 digital	
<i>Analog Inputs</i>		
Input connectors	Balanced, XLR	
Input Gain	MIC +22/ +62dB	LINE -4/ +36dB
Max. input level	Mic: +10/ -30dBu	Line: +36/ -4dBu
Phantom Voltage	48V	
Input Impedance	Mic: 2,4kΩ	Line: 3,5kΩ
<i>Digital Input/ Output</i>		
Input connector	USB Type C	
Compliant USB Specification	USB 2.0	
Input Gain	-∞/ +6 dB	
Supported Sampling Rates	32kHz, 44.1kHz, 48kHz	
Bit Depth	16-Bit	
Interface Powering	Bus Powered*	
Charging capability	No	
Output section		
Outputs	8 Analog with Line/ MIC level switch, 4 Digital	
<i>Analog Outputs</i>		
Output connectors	Balanced, XLR	
Nominal Output Level	+6dBu	
Maximum Output Level	+10dBu (no load, internally limited by limiter) +4dBu (600Ω)	
Output impedance	Mic: 220Ω	Line: 600Ω
Transformer isolated outputs	Yes (each output)	
SNR	>79dB	
Frequency Response	120Hz to 30kHz/ -3dB	
<i>Digital Outputs</i>		
Output connector	USB Type C	
Compliant USB Specification	USB 2.0	
Supported Sampling Rates	8kHz, 11.025kHz, 16kHz, 22.05kHz, 32kHz, 44.1kHz, 48kHz	
Bit Depth	16-Bit	
Interface Powering	Bus Powered*	
Charging capability	No	
Controls		
Input section	26dB PAD, Input gain, Phantom	
Output section	Power switch, Output PAD	
Indicators		
Input section	Phantom power, Input level	
Power		
Power Supply	24V DC, 1A external adaptor	
Battery	None	
Battery operation time	-	
Mechanical		
Dimensions (WxHxD)	321x 230x 111mm	
Weight	3kg	