



# AudioPressBox®

## APB-124 SB

Press Conference Audio Distribution Amplifier  
Owner's manual



**Always follow the basic precautions listed below to avoid the possibility of serious injury or even death from electrical shock, short-circuiting, damages, fire or other hazards. These precautions include, but are not limited to, the following:**

## **WARNING**

---

### **Power supply/Power cord**

- Only use the voltage specified as correct for the device. The required voltage is printed on the name plate of the device.
- Use only the specified AC power adaptor.
- Do not place the power cord near heat sources such as heaters or radiators, and do not excessively bend or otherwise damage the cord, place heavy objects on it, or place it in a position where anyone could walk on, trip over, or roll anything over it.

### **Do not open**

- Do not open the device or attempt to disassemble the internal parts or modify them in any way. The device contains no user-serviceable parts. If it should appear to be malfunctioning, discontinue use immediately and have it inspected by qualified AudioPressBox service personnel.

### **Water warning**

- Do not expose the device to rain, use it near water or in damp or wet conditions, or place containers on it containing liquids which might spill into any openings.
- Never insert or remove an electric plug with wet hands.

### **If you notice any abnormality**

- If the power cord or plug becomes frayed or damaged, or if there is a sudden loss of sound during use of the device, or if any unusual smells or smoke should appear to be caused by it, immediately turn off the power switch, disconnect the electric plug from the outlet, and have the device inspected by qualified AudioPressBox service personnel.
- If this device or the AC power adaptor should be dropped or damaged, immediately turn off the power switch, disconnect the electric plug from the outlet, and have the device inspected by qualified AudioPressBox service personnel.



**Always follow the basic precautions listed below to avoid the possibility of physical injury to you or others, or damage to the device or other property. These precautions include, but are not limited to, the following:**

## **CAUTION**

---

### **Power supply/Power cord**

- Remove the electric plug from the outlet when the device is not to be used for extended periods of time, or during electrical storms.
- When removing the electric plug from the device or an outlet, always hold the plug itself and not the cord. Pulling by the cord can damage it.
- To avoid generating unwanted noise, make sure there is 50cm or more between the AC power adaptor and the device.
- Do not cover or wrap the AC power adaptor with a cloth or blanket.

### **Location**

- Before moving the device, remove all connected cables.
- When setting up the device, make sure that the AC outlet you are using is easily accessible. If some trouble or malfunction occurs, immediately turn off the power switch and disconnect the plug from the outlet.
- Avoid setting all controls to their maximum. Depending on the condition of the connected devices, doing so may cause feedback and may damage the speakers.

- Do not expose the device to excessive dust or vibrations, or extreme cold or heat (such as in direct sunlight, near a heater, or in a car during the day) to prevent the possibility of panel disfiguration or damage to the internal components.
- Do not place the device in an unstable position where it might accidentally fall over.

#### **Connections**

- Before connecting the device to other devices, turn off the power for all devices. Before turning the power on or off for all devices, set all volume levels to minimum.

#### **Handling caution**

- When turning on the AC power in your audio system, always turn on the power amplifier LAST, to avoid speaker damage. When turning the power off, the power amplifier should be turned off FIRST for the same reason.

- Do not insert your fingers or hands in any gaps or openings on the device.
- Avoid inserting or dropping foreign objects (paper, plastic, metal, etc.) into any gaps or openings on the device. If this happens, turn off the power immediately and unplug the power cord from the AC outlet. Then have the device inspected by qualified AudioPressBox service personnel.
- Do not use the device or headphones for a long period of time at a high or uncomfortable volume level, since this can cause permanent hearing loss. If you experience any hearing loss or ringing in the ears, consult a physician.
- Do not rest your weight on the device or place heavy objects on it, and avoid use excessive force on the buttons, switches or connectors.

XLR-type connectors are wired as follows (IEC60268 standard): pin 1: ground, pin 2: hot (+), and pin 3: cold (-).

AudioPressBox cannot be held responsible for damage caused by improper use or modifications to the device, or data that is lost or destroyed.

Always turn the power off when the device is not in use.

The performance of components with moving contacts, such as switches, volume controls, and connectors, deteriorates over time. Consult qualified AudioPressBox service personnel about replacing defective components.

Illustrations herein are for explanatory purposes only, and may not match actual appearance during operation.

Company names and product names herein are trademarks or registered trademarks of their respective companies.

Specifications and descriptions in this owner's manual are for information purposes only. AudioPressBox reserves the right to change or modify products or specifications at any time without prior notice. Since specifications, equipment or options may not be the same in every locale, please check with your AudioPressBox dealer.



**Use only the adaptor included with this AudioPressBox. Use of a different adaptor may result in equipment damage, overheating, or fire.**

**Be sure to unplug the adaptor from the outlet when not using AudioPressBox, or when there are lightning storms in the area.**

**To avoid generating unwanted noise, make sure there is 50 cm or more between the power adaptor and AudioPressBox.**



## APB-124 SB

Dear customer,

Thank you for purchasing **AudioPressBox® APB-448 SB**, the most sophisticated press conference distribution amplifier. Signal from four lectern's microphones or line inputs (i.e. mixing console) is distributed to independent microphone/line outputs used by multiple journalists, TV Camera operators, audio recorders and reporters at the same time. No more hassle with the multiple microphones on the table or disturbing late-coming reporters. With **AudioPressBox®** you are set in a minute with providing the perfect signal to every reporter!

### **Unpacking your AudioPressBox®**

Your AudioPressBox® comes to you packaged in the transfer box with the filling material in used to avoid any damage caused by transport.

In the package, you should find:

- 1) Power supply with mains cable
- 2) AudioPressBox®
- 3) This manual

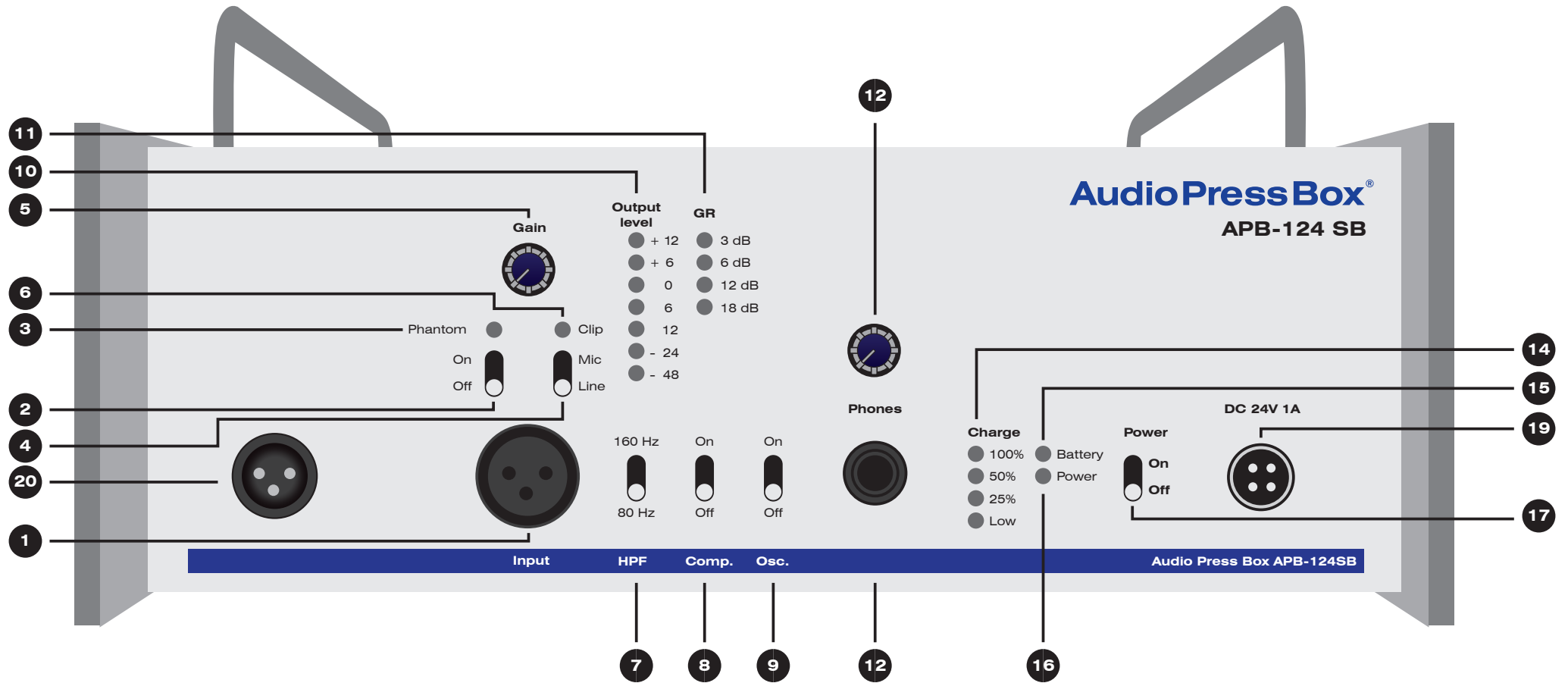
Please be careful while unpacking all the components from original packaging.

### **Using your AudioPressBox®**

Using every AudioPressBox® model is simple and it can be presented in 4 simple steps:

- 1) **Plug** your microphone in
- 2) **Set** your levels
- 3) Connect your outputs / extenders
- 4) **Start** using your AudioPressBox® by providing perfectly processed signal to every recipient, who connects his device into the output section.

# APB-124 SB - Front panel (Input section)



## Front panel (Input section)

### 1. Input XLR microphone/line connector

Input your microphone or line-level source into this XLR balanced connector. You can connect any type of condenser either dynamic microphone here.

### 2. Phantom power switch

If you are about to use condenser microphone, turn Phantom power switch ON to feed your microphone with 24/48V. If you are using dynamic microphone or microphone with his own power, you can switch this OFF.

### 3. Phantom power indicator

If the Phantom power is on, this is indicated with solid red light.

### 4. Mic/Line input switch

If you are using microphone as an input, this switch should be set to “Mic” position. If you are using input from the mixing console or CD player, please set this switch to “Line” position.

### 5. Input gain level knob

After connecting your microphone, you can set the input level to reach perfect understanding of lectern’s speech.

### 6. Input peak clip indicator

If the input level is set too high, this indicates a possibility of distorted input signal. When this red light continuously lights, please lower your input level by adjusting Input gain level knob until the indicator stops to light.

### 7. High-Pass Filter switch

This switch helps to avoid distributing low-end

rumble like a microphone handling noise or pops. You have 2 possible low-cut frequencies – 80Hz and 160Hz. The one you choose depends on the sound, you want to filter out. You can check the result with your headphones plugged in.

### 8. Compressor/Limiter operation switch

To provide perfect output signal without clipping or distortion, you can switch the Comp switch ON. If you switch this OFF, signal in output could contain signal clipping or distortion.

### 9. Test signal oscillator operation switch

To test signal level, which is coming to the outputs, you can switch this Test 1kHz sine signal oscillator on. After recipients set the levels in their recording devices, you should switch this function OFF. When compressor switch is set to ON, output signal level won’t exceed this maximum output level.

### 10. Output level indicator bar

You can visually monitor the level of output signal in 7-segment output indicator bar.

### 11. Gain Reduction indicator bar

If Comp switch is set to ON, you can visually monitor the level of Gain reduction on this 4-segment indicator bar.

### 12. Headphones output connector

If you want to monitor the output by your headphones, you can plug them to this connector (6.3 TRS/Jack stereo connector).

### 13. Headphones output level knob

If you have your headphones plugged in, you can adjust the level of monitoring the output by turning this knob to set your comfort hearing level. Please be

careful when setting the levels, too high monitoring volumes can damage your hearing ability!

**14. Rechargeable battery charging status indicator bar** (\*functional with optional rechargeable battery pack BP 2000 installed)

If the battery pack is installed inside the Audio Press Box®, you can see the charge levels on this indicator. When two lights are on together, this means, the charge level is somewhere between these two values (when 100% and 50% are on, this means that charge level is somewhere about 75%).

### 15. Battery operation indicator

If Audio Press Box® runs on batteries, this indicator lights up.

### 16. Power ON indicator

When Audio Press Box® is turned on, this indicator lights up.

### 17. Power switch

With the power switch, you can turn your Audio Press Box® ON or OFF.

### 19. Power supply connector

Plug the power supply to Audio Press Box® here. If you have a model with built-in rechargeable battery, you can recharge your Audio Press Box® connecting the device to the mains and then you can run up to 12 hours without need of electricity.

### 20. Input link

Input link is a parallel output connector to the input connector. It can be used if you need to connect more APBs on parallel for more outputs, but they are feed with the same signal. You can link up to 4 units together.

# APB-124 SB - Top panel



**22) Group A Mic/Line Outputs 1-24 + Group B Mic/Line Outputs 1-24**

Mic level output XLR connectors – every output is individually transformer isolated.

**23) Mic/Line level select switch**

You can set if you want to get Mic (-20dBu) or Line (+6dBu)

level from individual output

**Get your AudioPressBox® operational:**

1. Plug mains cable to connector of the AudioPressBox® (20).
2. Turn AudioPressBox® on by switching Power switch (19) ON.
3. Plug your microphone into input XLR connector (1).
4. If you are using condenser microphone, switch Phantom power (2) ON.
5. Switch Comp (7) ON
6. Speak to the microphones and adjust the Input gain (5) level to get visual confirmation on microphone signal level indicator (9) as you speak, this indicator will light up continuously.
7. Set routing path for each microphone (11)
8. If you want to hear your output signal, plug your headphones (with 6.3mm TRS connector) to headphone connector (16) and adjust monitoring level (17) to listen to the output.
9. Recipients can plug their recording devices to specified outputs in the extenders.
10. You are ready to go!

**Good to know:****What are compressor and limiter?**

These elements automatically control your signal and provide the best signal condition for every output. You will get perfect signal without clipping or distortion. You can switch this element on or off for each input depending your needs.

**What is the signal generator for?**

A signal generator, also called a test signal generator is an electronic device designed to produce sine signal - frequency of 1kHz, which can help to set your levels correctly.



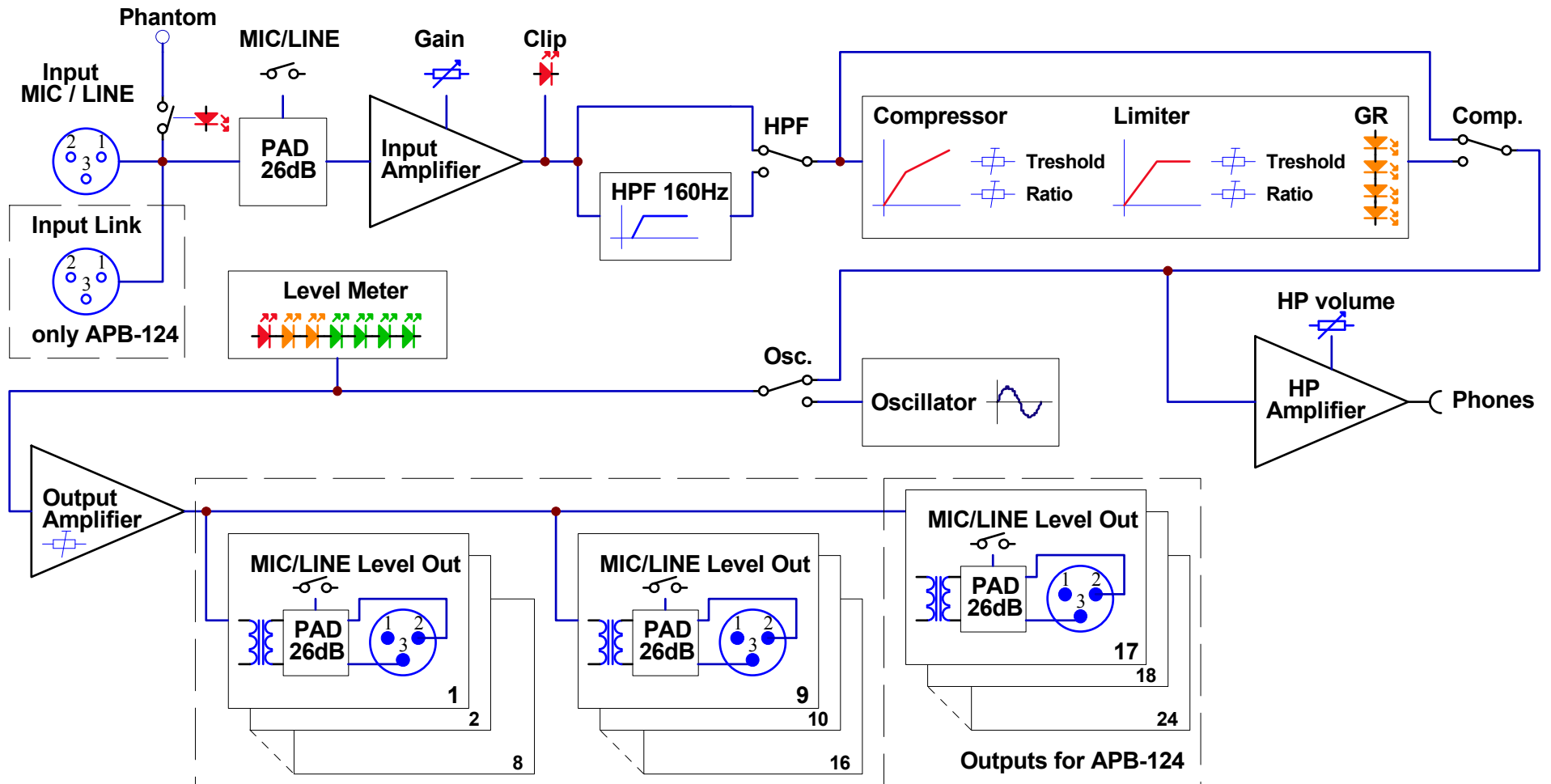
# Specifications

Audio Press Box APB-124 SB		
Type	1 in 24	
Groups	1	
<b>Input section</b>		
Inputs	1	
Input connectors	Balanced, XLR	
Max. input level	Limiters ON	Limiters OFF
	Mic: -10/-30dBu Line: +36/-4dBu	Mic: -2/-42dBu Line: +24/-16dBu
Phantom Voltage	24V	
Input Impedance	Mic: 2,4 kOhm	Line: 3,5 kOhm
<b>Output section</b>		
Outputs	24 MIC/LINE level	
Output connectors	Balanced, XLR	
Nominal Output Level	+6dBu	
Maximum Output Level	+20dBu (no load)	
	+14dBu (600kOhm)	
Output impedance	Mic: 220 Ohm	Line: 600 Ohm
Transformer isolated outputs:	Yes ( <b>each output</b> )	
<b>General</b>		
SNR	86dB	
Frequency Response	80/160Hz (fi lter) to 30kHz/-1dB	
Controls	Mic/Line PAD, Input gain, Phantom, High-pass filter, Compressor, Oscillator, Phones level, Power, Output PAD	
Indicators	Input clip, Phantom power, Output level, Gain reduction, Power, Battery status (with battery option)	
Power Supply	24V DC, 300mA external adaptor	
Battery	Li-Ion, 14,4V 2200mAh (optional)	
Battery Operation Time	min. 12hrs	
Dimensions (WxHxD)	325x88x175mm	
Weight	4kg	

# Jack list

Input and Output Jacks	Polarities	Configurations
MIC INPUT	Pin 1: Ground Pin 2: Hot (+) Pin 3: Cold (-)	INPUT   OUTPUT

# Block diagram



# Audio Press Box<sup>®</sup>

e-mail: [sales@audiopressbox.com](mailto:sales@audiopressbox.com) | web: [www.audiopressbox.com](http://www.audiopressbox.com)

MediaTech Central Europe, a.s., Drienova 34, 821 02 Bratislava, Slovak Republic (EU)

Tel: +421 2 4341 7777 | Fax: +421 2 4342 7777